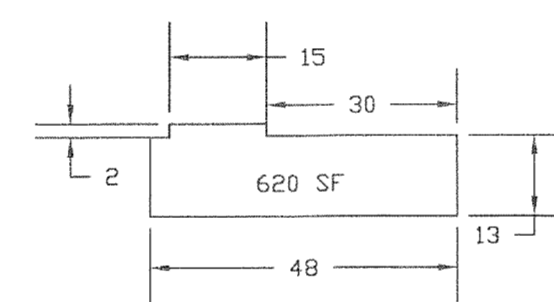
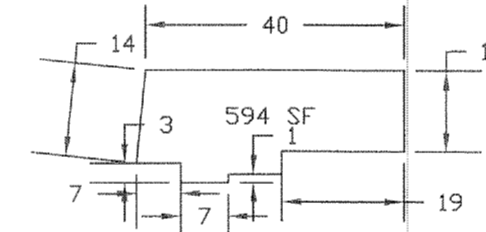


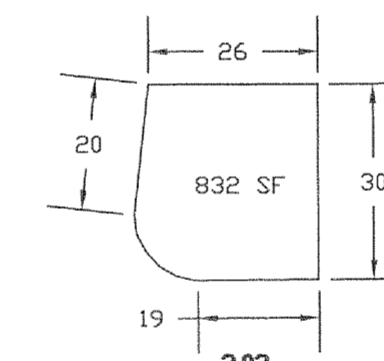
FIRST FLOOR



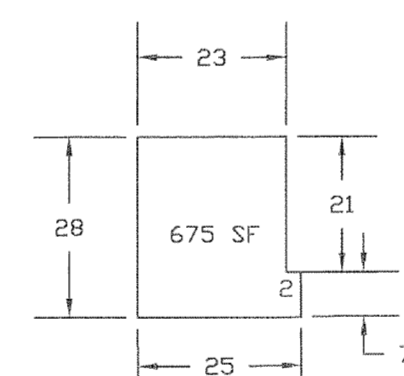
3.01 UNIT 1



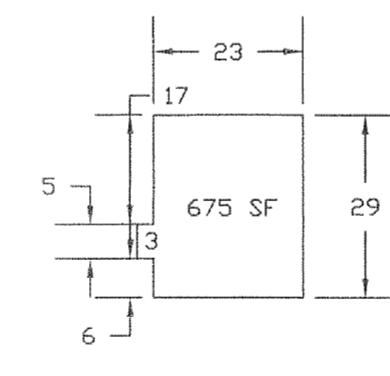
3.02 UNIT 2



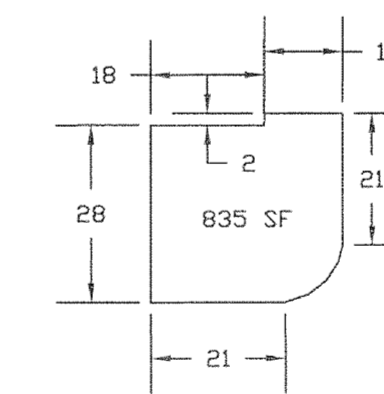
3.03 UNIT 3



3.04 UNIT 4



3.05 UNIT 5



3.06 UNIT 6

SECOND FLOOR

BLOCK 2209

Maintenance and supervision of tax maps for the Borough prior to January 2016 was performed by Richard F. Smith, PLS. Beginning in January 2016, maintenance and supervision was performed by Andrew B. Clarke, P.L.S., P.E. GB04105600

NOTES:  
1. THIS SHEET HAS BEEN DRAWN USING COMPUTER AIDED DRAFTING/DESIGN.

NO.	REVISION	DATE	BY	APP'D.
1.	ANDREW CLARKE, PLS & PE - GENERAL REVIEW	5/4/18	D.C.B.	A.B.C.

DIVISION OF TAXATION,  
SIGNED BY:  
RICHARD F. SMITH JR.,  
APPROVED BY:  
SUE DAVISON, CTA  
FEBRUARY 13, 2012, SERIAL # 921.

**TAX MAP**  
BOROUGH OF MADISON  
MORRIS COUNTY, NEW JERSEY  
SCALE: 1"=30' DATE: 7-20-11  
RICHARD F. SMITH, JR.  
PROFESSIONAL LAND SURVEYOR NO. 24GS02504800  
28 SCHUYLER PLACE  
MORRISTOWN, NJ 07960

I:\Programs\Engineering\CAD Files\2015 TAX MAP ANDREW CLARK.LS1022.01.dwg, 022.01, 5/4/2018 2:43:24 PM, RPL 3000 Series