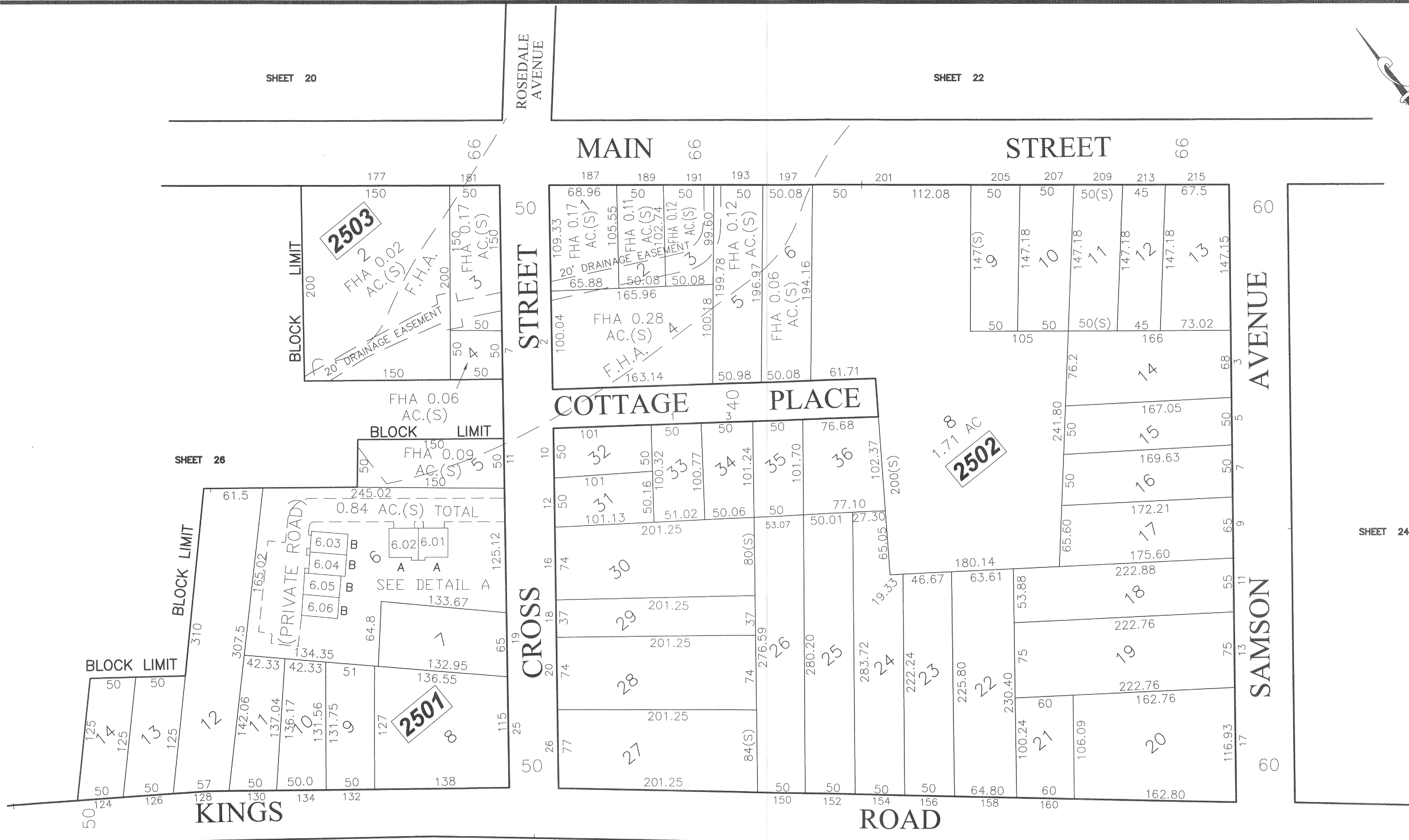
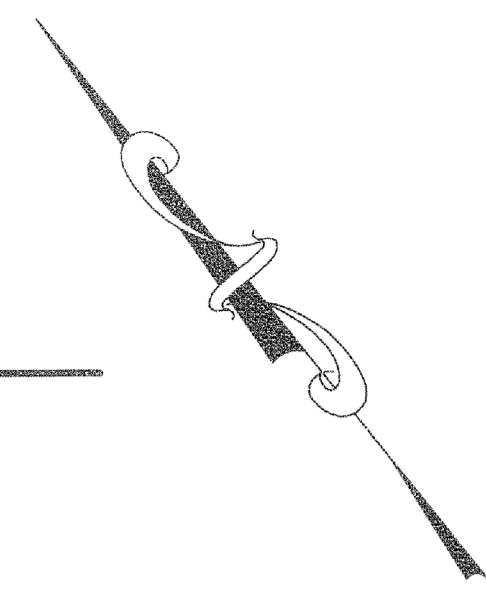


SHEET 20

SHEET 22



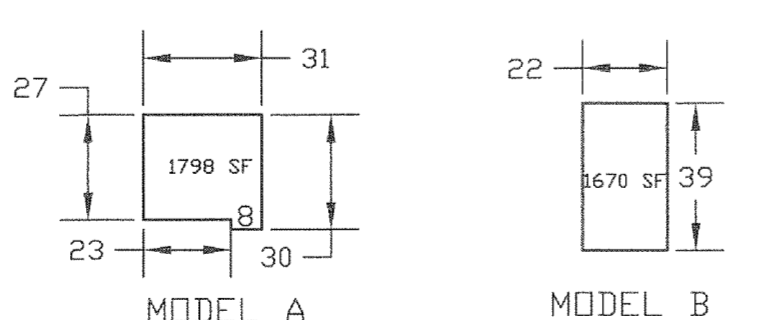
SHEET 26

SHEET 24

SHEET 39

SHEET 38

DETAIL A



ALL UNITS ARE 2 FLRS TOTAL
BLOCK 2501

- NOTES:
 1. THIS SHEET HAS BEEN DRAWN USING COMPUTER AIDED DRAFTING/DESIGN.
 2. THIS SHEET IS A DIGITIZED COPY OF THE TAX MAP PREPARED BY RICHARD F. SMITH, JR. AND DATED 5-2-07. THE APPROVED ORIGINAL IS ON FILE IN THE ENGINEER'S OFFICE.

MAINTENANCE AND SUPERVISION OF TAX MAPS FOR THE BOROUGH PRIOR TO JANUARY 2016 WAS PERFORMED BY RICHARD F. SMITH, PLS. BEGINNING IN JANUARY 2016, MAINTENANCE AND SUPERVISION WAS PERFORMED BY ANDREW B. CLARKE, P.L.S., P.E. 6804105600

DIVISION OF TAXATION,
 SIGNED BY:
 RICHARD F. SMITH, JR.,
 APPROVED BY:
 SUE DAVISON, CTA
 FEBRUARY 13, 2012, SERIAL # 921.

TAX MAP
BOROUGH OF MADISON
 MORRIS COUNTY, NEW JERSEY
 SCALE: 1"=50' DATE: 5-2-07
RICHARD F. SMITH, JR.
 PROFESSIONAL LAND SURVEYOR NO. 24GS02504800
 28 SCHUYLER PLACE
 MORRISTOWN, NJ 07960

NO.	REVISION	DATE	BY	APP'D
1	ANDREW CLARKE, PLS & PE - GENERAL REVIEW	5/4/18	D.C.B.	A.B.C.