



GEOFFREY L. COGAN
 Architect, Planner, AIA, NJ CERT. 21A0006500
 8 KING STREET, STE. A, ROBERTSON, N.J. 07068
 TEL: 908.276.2454 FAX: 908.276.2454
 EMAIL: GCOGAN@GFCAL.COM

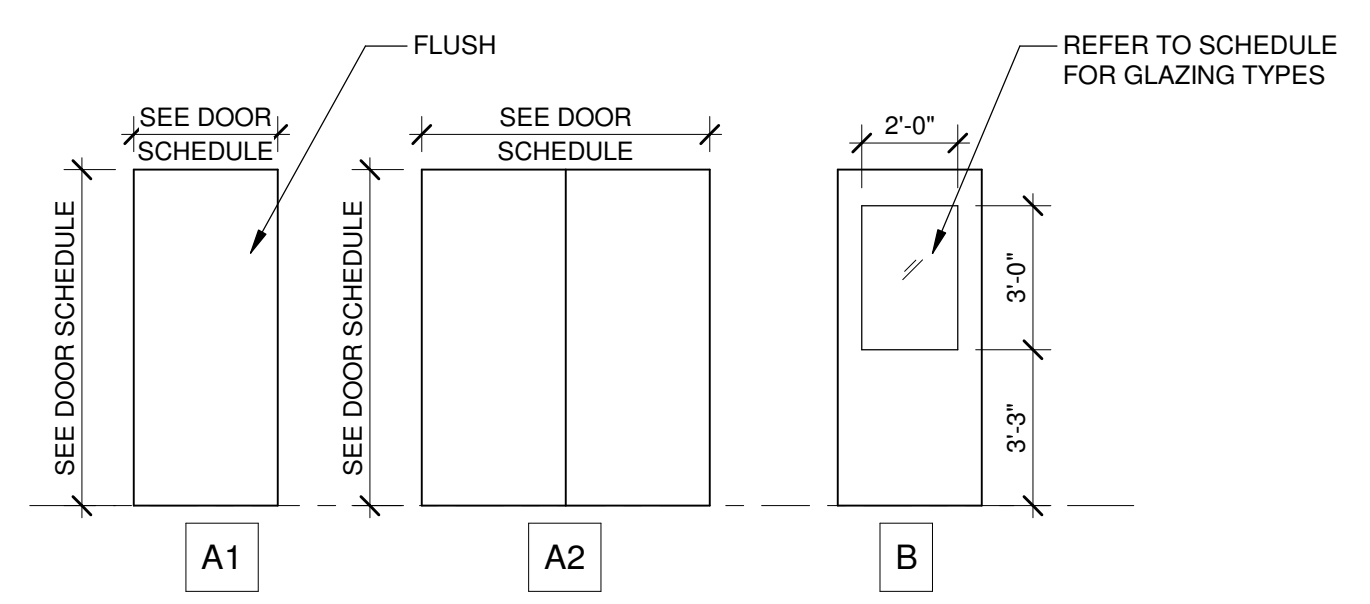
DERCKSON & REDSON
 ARCHITECTS
 CAMPUSES DOWNTOWN ATHLETICS
 38 SOUTH BRAD STREET, SUITE 200, BELLEVILLE, PA 18803
 3011 SPRING STREET, SUITE 200, BELLEVILLE, PA 18803
 WWW.DERCKSONANDREDSON.COM

FAIRLEIGH DICKINSON UNIVERSITY
 107-6 BUCKINGHAM DRIVE, RTE. 108
 RFD 285, MADISON, NJ 07042
 MADISON BOROUGH, MORRIS COUNTY, NEW JERSEY

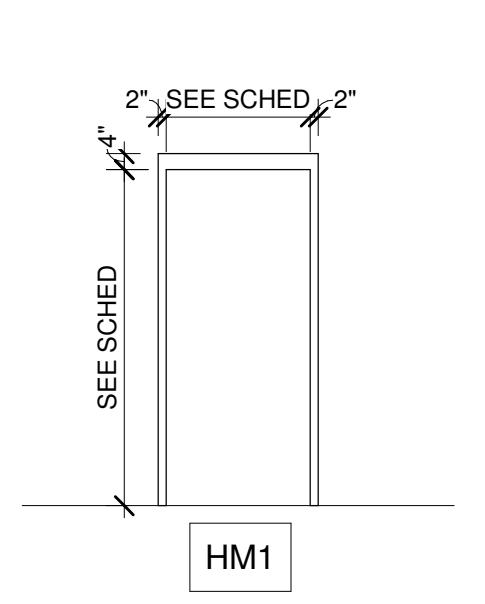
REVISIONS:

No.	DATE	DESCRIPTION OF CHANGES

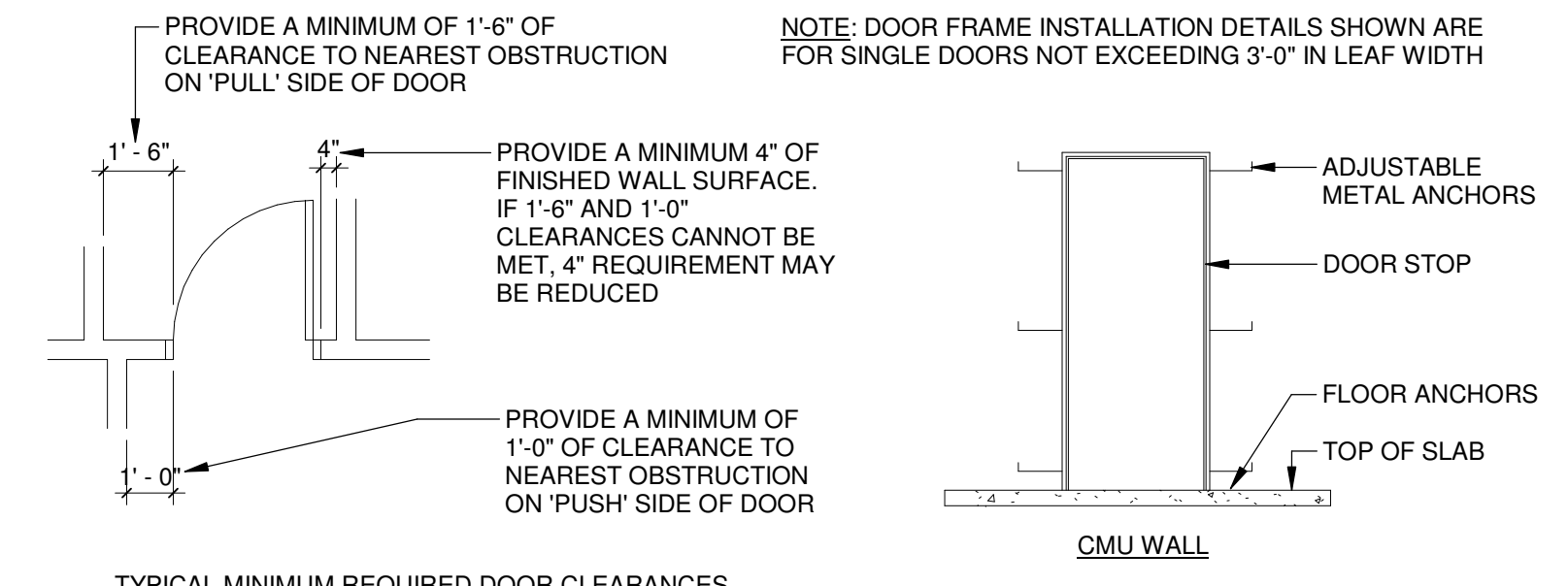
DATE:	03/08/2020
PROJECT #:	19A050
DRAWN BY:	JTW
PKL:	JTW
CHK:	JLL
DESIGNED BY:	SES
DRAWING NO.:	A-601



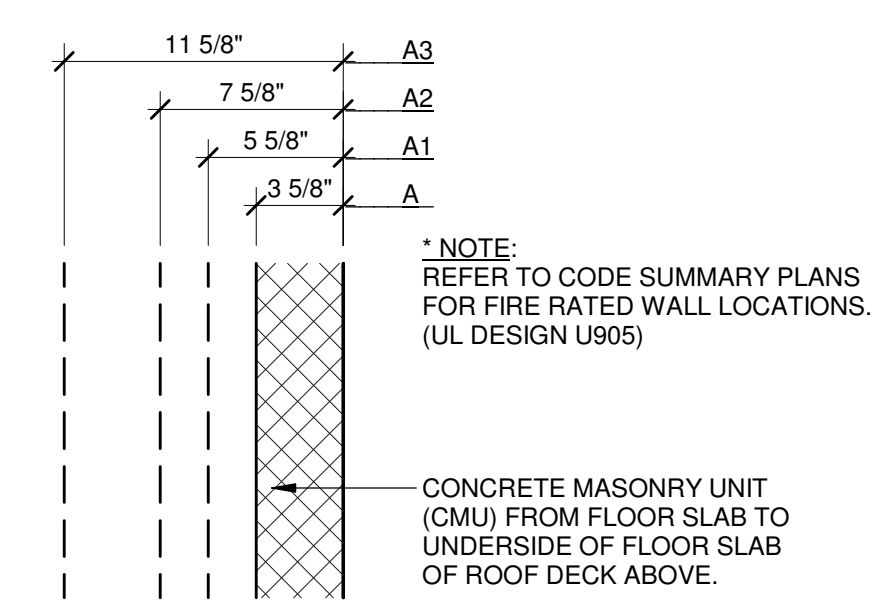
9 DOOR TYPES
1/4" = 1'-0"



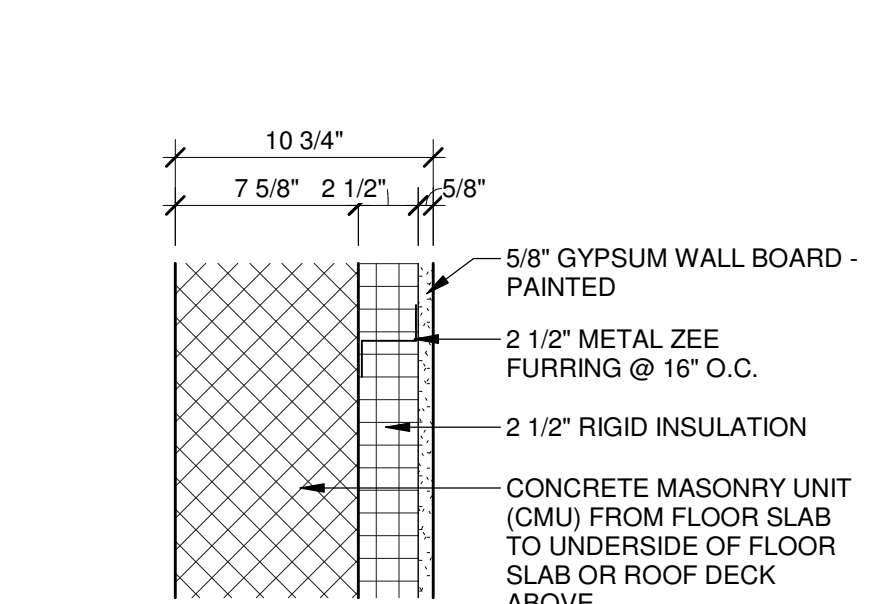
10 HOLLOW METAL FRAME TYPES
1/4" = 1'-0"



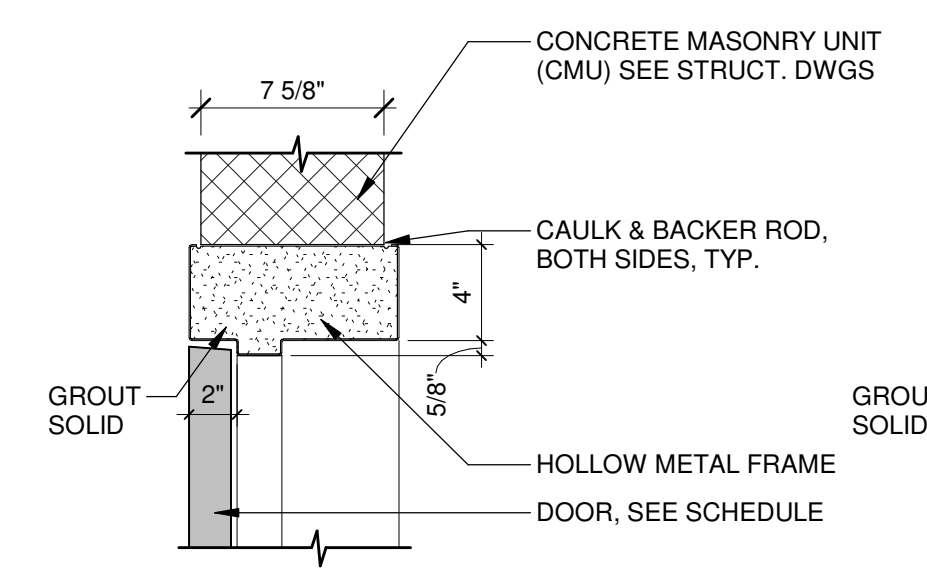
4 TYPICAL HOLLOW METAL DOOR FRAME INSTALLATION DETAILS
1/4" = 1'-0"



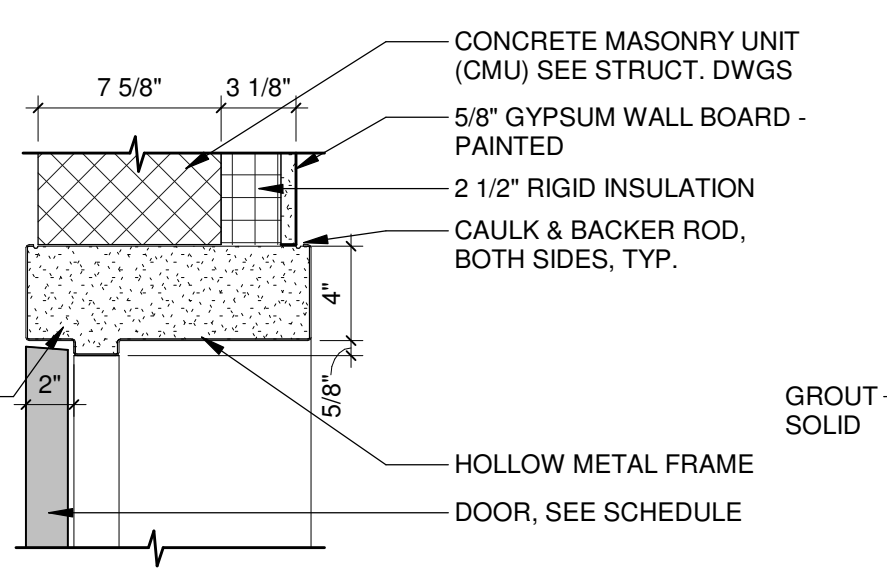
A 4" CMU
A1 6" CMU
A2 8" CMU
A3 12" CMU



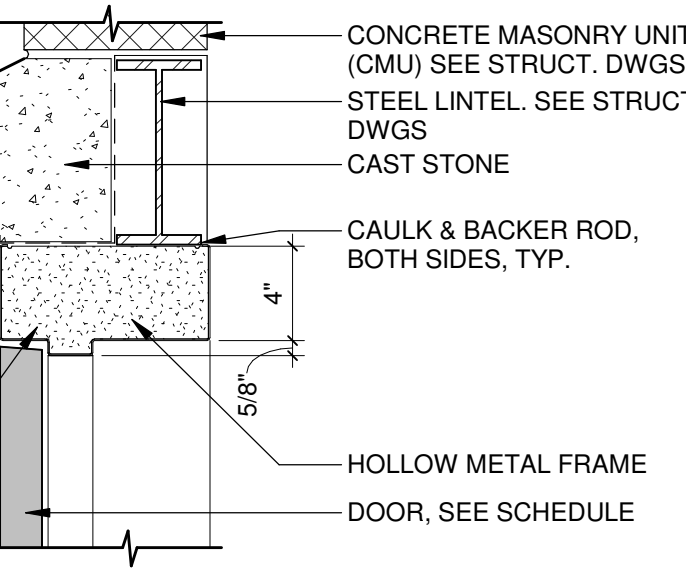
B 8" CMU - FURRING ONE SIDE



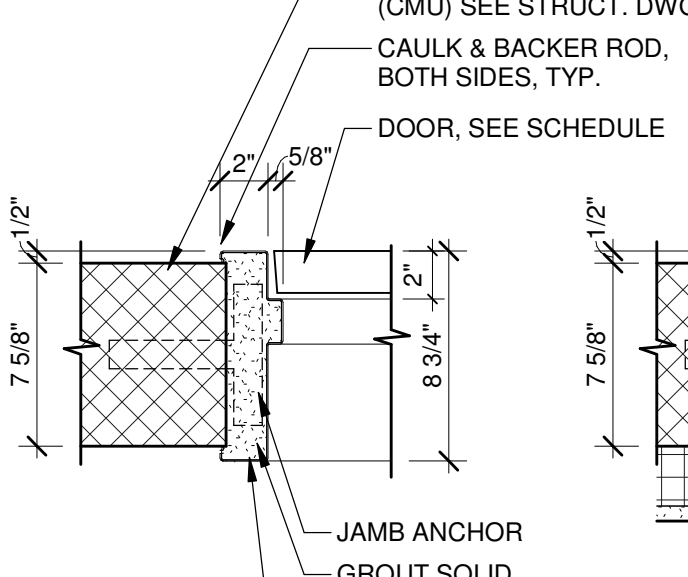
H1



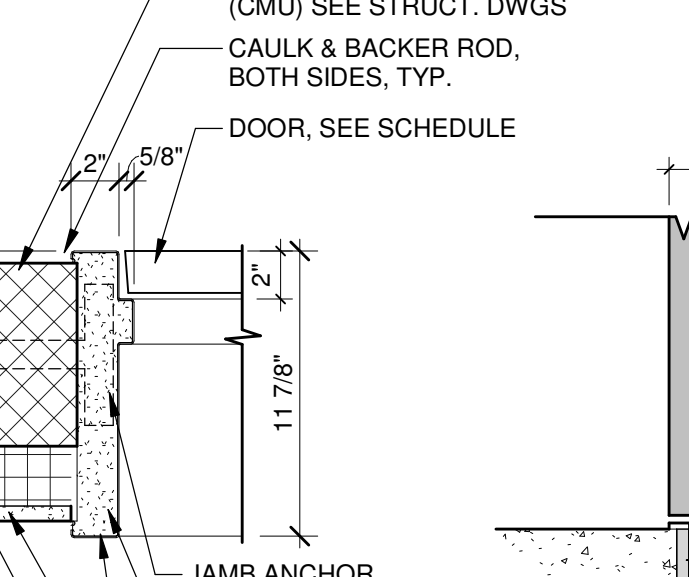
H2



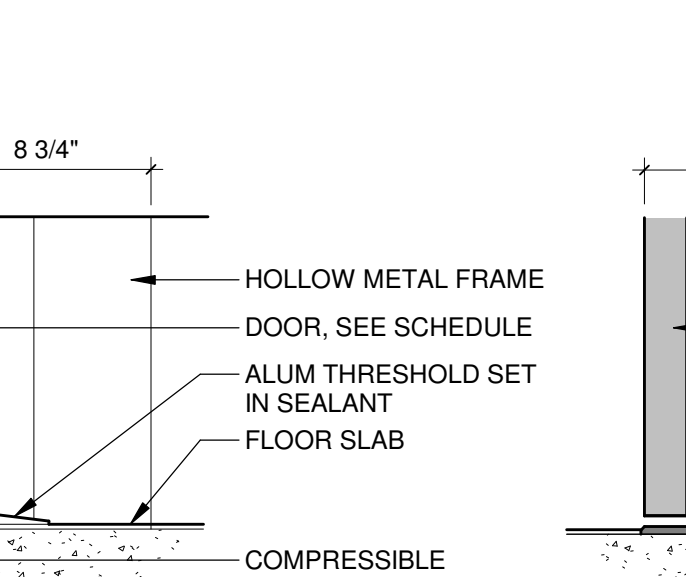
H3



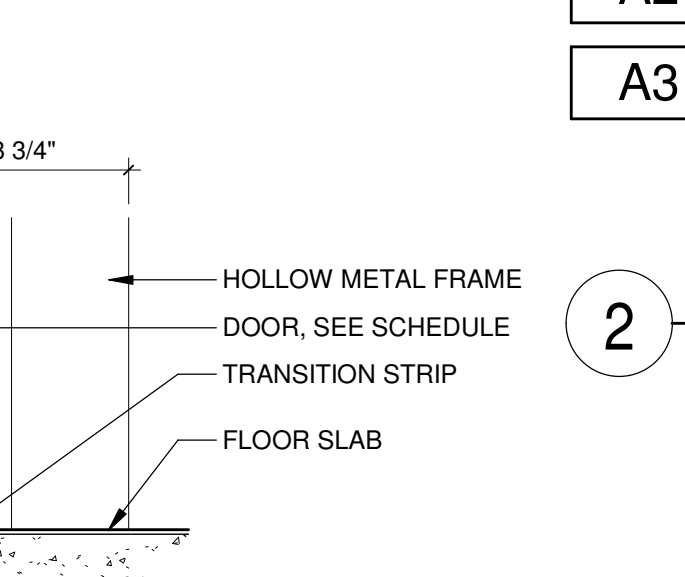
J1



J2

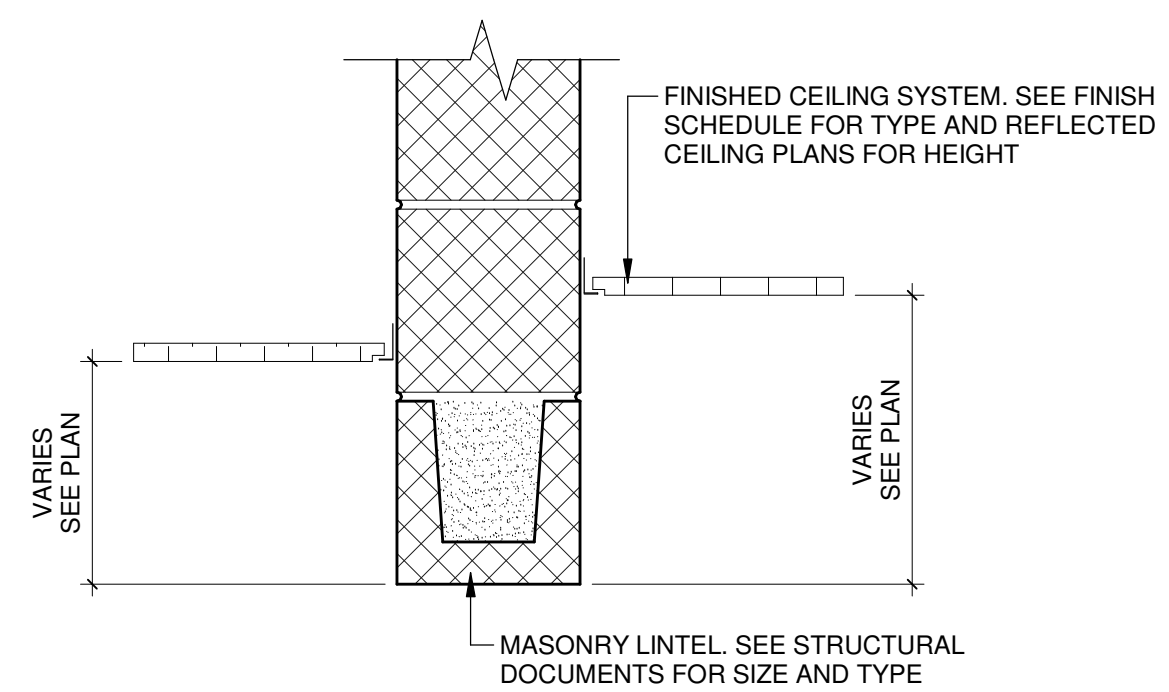


S1



S2

2 INTERIOR PARTITION TYPES
1 1/2" = 1'-0"



1 MASONRY BULKHEAD
1 1/2" = 1'-0"

6 HOLLOW METAL FRAME HEAD DETAILS
1 1/2" = 1'-0"

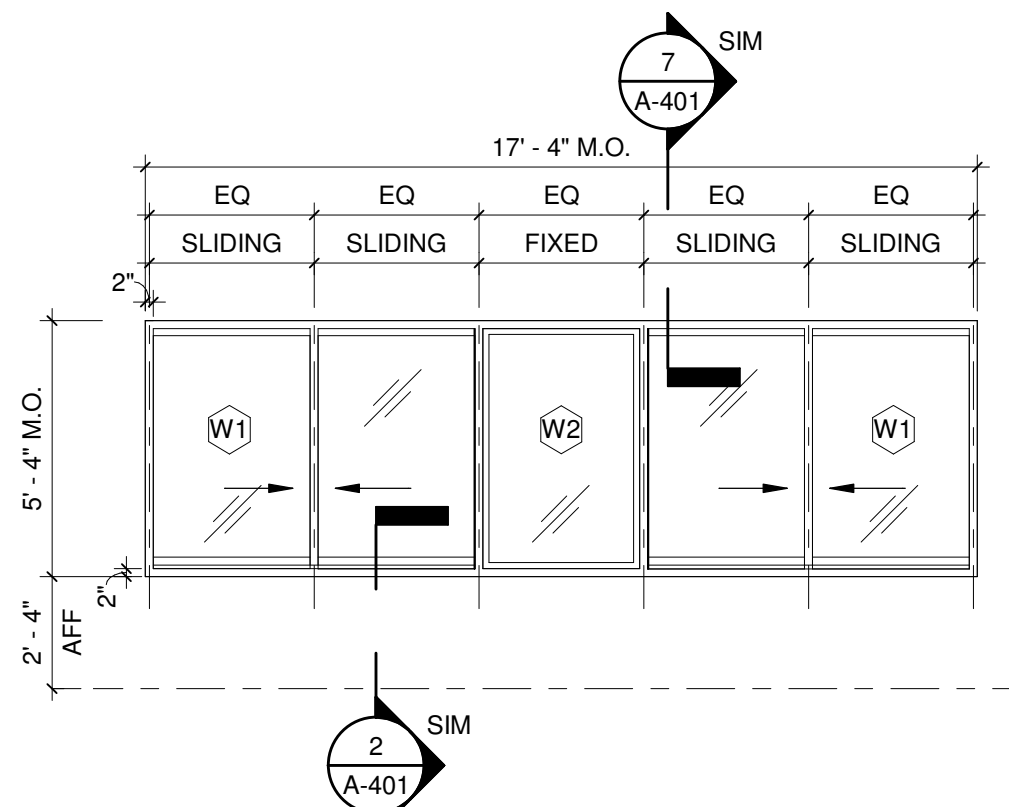
7 HOLLOW METAL FRAME JAMB DETAILS
1 1/2" = 1'-0"

8 HOLLOW METAL FRAME SILL DETAILS
1 1/2" = 1'-0"

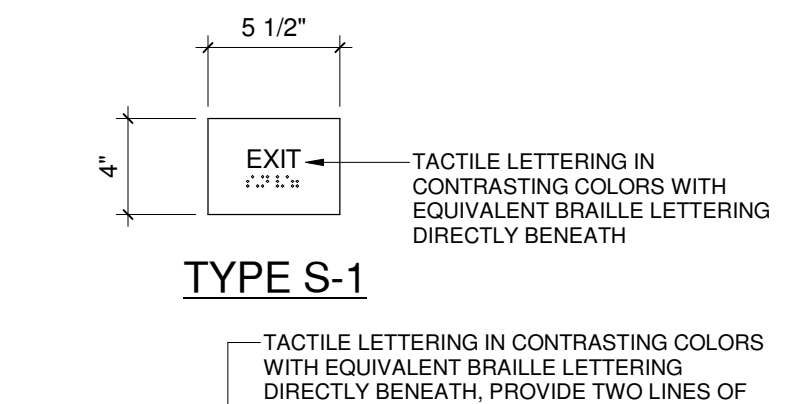
DOOR SCHEDULE														
NO	ROOM NAME	SIZE			DOOR			FRAME						HARDWARE
		WD	HT	THK	TYPE	MATL	GLAZ	TYPE	MATL	HEAD	JAMB	SILL	SIGNAGE	
101	STORAGE	3'-0"	7'-0"	1 3/4"	A2	GALVANIZED	--	HM1	GALVANIZED	H3	J1	S2	S-1, S-2	HW#3
102	HOME DUGOUT	3'-0"	7'-0"	1 3/4"	A1	GALVANIZED	--	HM1	GALVANIZED	H1	J1	S1		HW#1
103	DUGOUT STORAGE	3'-0"	7'-0"	1 3/4"	A1	GALVANIZED	--	HM1	GALVANIZED	H1	J1	S1		HW#2
104	VISITOR DUGOUT	3'-0"	7'-0"	1 3/4"	A1	GALVANIZED	--	HM1	GALVANIZED	H1	J1	S1		HW#1
201A	PRESSBOX	3'-0"	7'-0"	1 3/4"	B	GALVANIZED	Y	HM1	GALVANIZED	H2	J2	S2	S-1	HW#4
201B	PRESSBOX	3'-0"	7'-0"	1 3/4"	B	GALVANIZED	Y	HM1	GALVANIZED	H2	J2	S2	S-1	HW#4

ROOM FINISH SCHEDULE									
NO.	NAME	FLOOR	BASE	WALL FINISH				CEILING	REMARKS
				NORTH	EAST	SOUTH	WEST		
101	STORAGE	CONCRETE	-	-	-	-	-	PAINTED, P-2	
102	HOME DUGOUT	CONCRETE	-	-	-	-	-	EXPOSED	
103	STORAGE	CONCRETE	-	-	-	-	-	EXPOSED	
104	VISITOR DUGOUT	CONCRETE	-	-	-	-	-	EXPOSED	
201	PRESSBOX	MCT-1	VINYL	PAINTED, P-1	PAINTED, P-1	PAINTED, P-1	PAINTED, P-1	ACOUSTICAL PANEL	

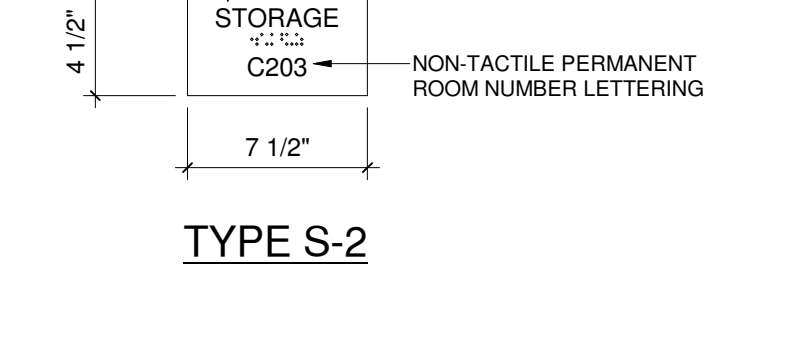
DOOR HARDWARE				
QUANTITY	HARDWARE	TYPE	FINISH	MANUF.
SET #1				
3	HINGE	5BB1HWSH	630	IVES
1	ENTRY SET	1CL3EN1H2A626LC	630	OAK
1	CORE	107W	630	OAK
1	CLOSER	DC4041	ALUM	OAK
3	SILENCER	SR64	GRY	IVES
SET #2				
3	HINGE	5BB1HWSH	630	IVES
1	STOREROOM SET	1CL3ST1H2A626LC	630	OAK
1	CORE	107W	630	OAK
3	SILENCER	SR64	GRY	IVES
SET #3				
6	HINGE	5BB1HWSH	630	IVES
2	FLUSH BOLT (MANUAL)	SB453	652	IVES
1	STOREROOM SET	1CL3ST1H2A626LC	630	OAK
1	CORE	107W	630	OAK
1	LOCK GUARD	DC4041	ALUM	OAK
2	DOOR CLOSER	K105010"BAECSK	630	FC
2	KICKPLATE	25X3G3AFG	ALUM	PEMK
1	WEATHERSTRIP		GRY	PEMK
1	THRESHOLD		ALUM	PEMK
SET #4				
3	HINGE	5BB1HWSH	630	IVES
1	ENTRY SET	1CL3EN1H2A626LC	630	OAK
1	CORE	107W	630	OAK
1	LOCK GUARD	DC4041	ALUM	IVES
1	CLOSER	SR64	GRY	IVES
3	SILENCER	SR64	ALUM	IVES
1	WEATHERSTRIP		ALUM	PEMK
1	THRESHOLD		ALUM	PEMK
1	SWEEP		ALUM	PEMK
BASIS OF DESIGN				
HARDWARE	SPECIFIED	APPROVED		
HINGES	IVES	McKINNEY		
STRIKES	OAK	BEST		
FLUSH BOLTS	IVES	McKINNEY		
LOCKSETS	OAK	BEST		
CORES	OAK	BEST		
LOCKGUARD	IVES	IVES		
DOOR CLOSERS	OAK	STANLEY		
SILENCERS	IVES	McKINNEY		
KICKPLATE	IVES	ROCKWOOD		
WEATHERSTRIP	PEMKO	REESE, ZERO		
THRESHOLD	PEMKO	REESE, ZERO		



3 WINDOW W1 & W2
1/4" = 1'-0"



TYPE S-1



TYPE S-2

5 ROOM SIGNAGE
1 1/2" = 1'-0"

FINISH LEGEND
 P-1 - INTERIOR WALL PAINT
 P-2 - INTERIOR CEILING PAINT
 P-3 - EXTERIOR PAINTED DOORS AND FRAMES AT PRESSBOX STORAGE
 P-4 - EXTERIOR PAINTED DOORS AND FRAMES AT DUGOUT AND VISITOR DUGOUT
 P-5 - EXTERIOR PAINTED STRUCTURAL STEEL AND STAIRS
 P-6 - EXTERIOR PAINTED MISC METAL
 MCT-1 - MARMOLEUM COMPOSITE TILE
 NOTE: COLOR SELECTIONS TO BE DETERMINED.

GENERAL SIGNAGE NOTES:
 1. SIGNAGE DIMENSIONS NOTED INDICATE ANTICIPATED SIZES. MANUFACTURER'S STANDARD SIGNAGE SIZES MAY BE USED PROVIDED THAT THEY MEET ALL ANSI A117.1 - 2009 REQUIREMENTS FOR ACCESSIBLE SIGNAGE.
 2. TEXT HEIGHT ON ALL SIGNAGE TO MEET ANSI A117.1 - 2009 REQUIREMENTS FOR MINIMUM AND MAXIMUM HEIGHTS AS DETERMINED BY VIEWING DISTANCE. UNDER NO CIRCUMSTANCE SHALL TEXT BE LESS THAN 5/8" IN HEIGHT.
 3. ALL ROOM NAMES AND NUMBERS SHALL BE SUPPLIED AND VERIFIED AS PART OF THE SHOP DRAWING PROCESS. DO NOT MANUFACTURE ANY SIGNAGE PRIOR TO APPROVAL OF SHOP DRAWINGS.
 4. SIGNAGE COLORS SHALL BE SELECTED DURING THE SHOP DRAWING PROCESS FROM MANUFACTURER'S FULL RANGE OF AVAILABLE COLORS.