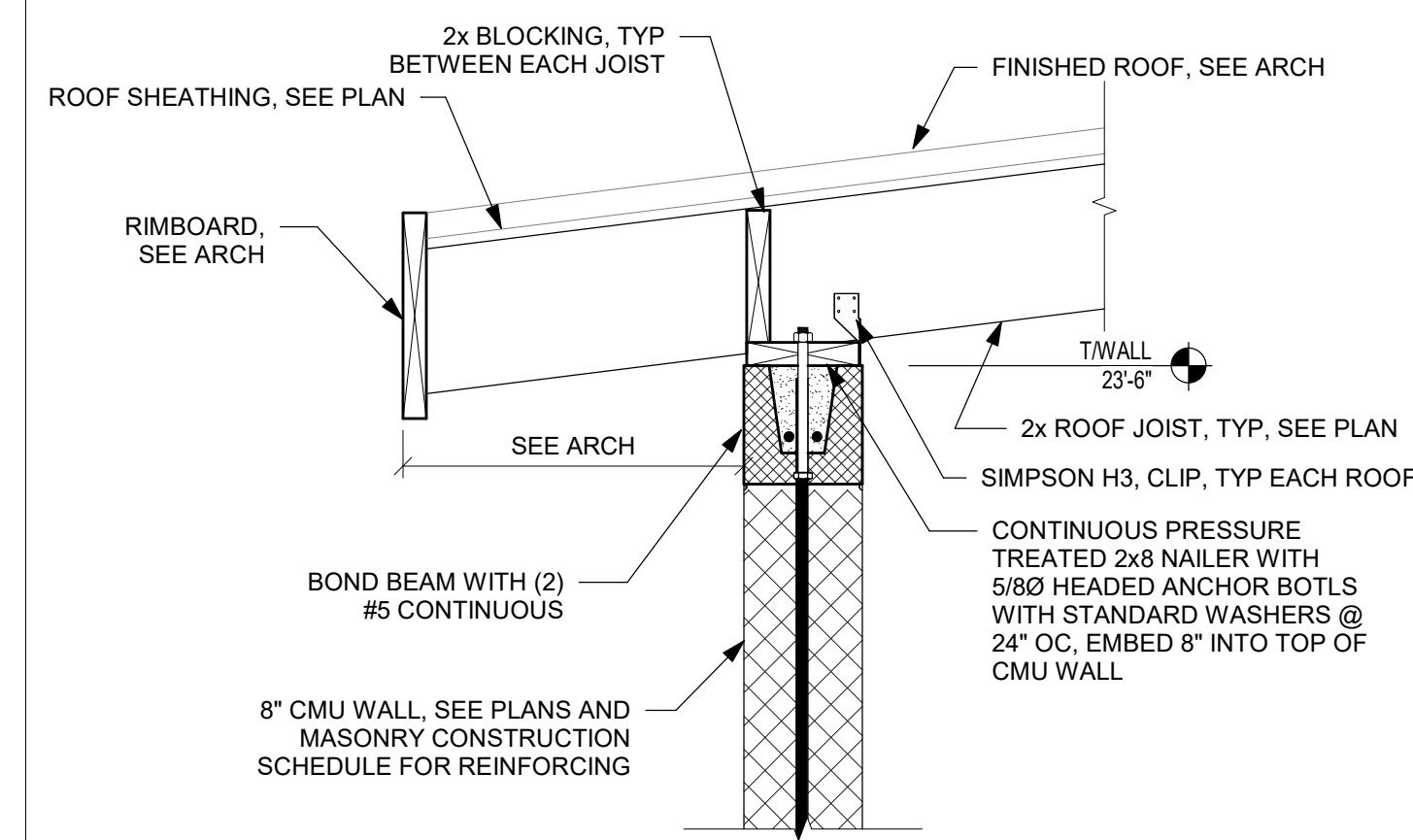
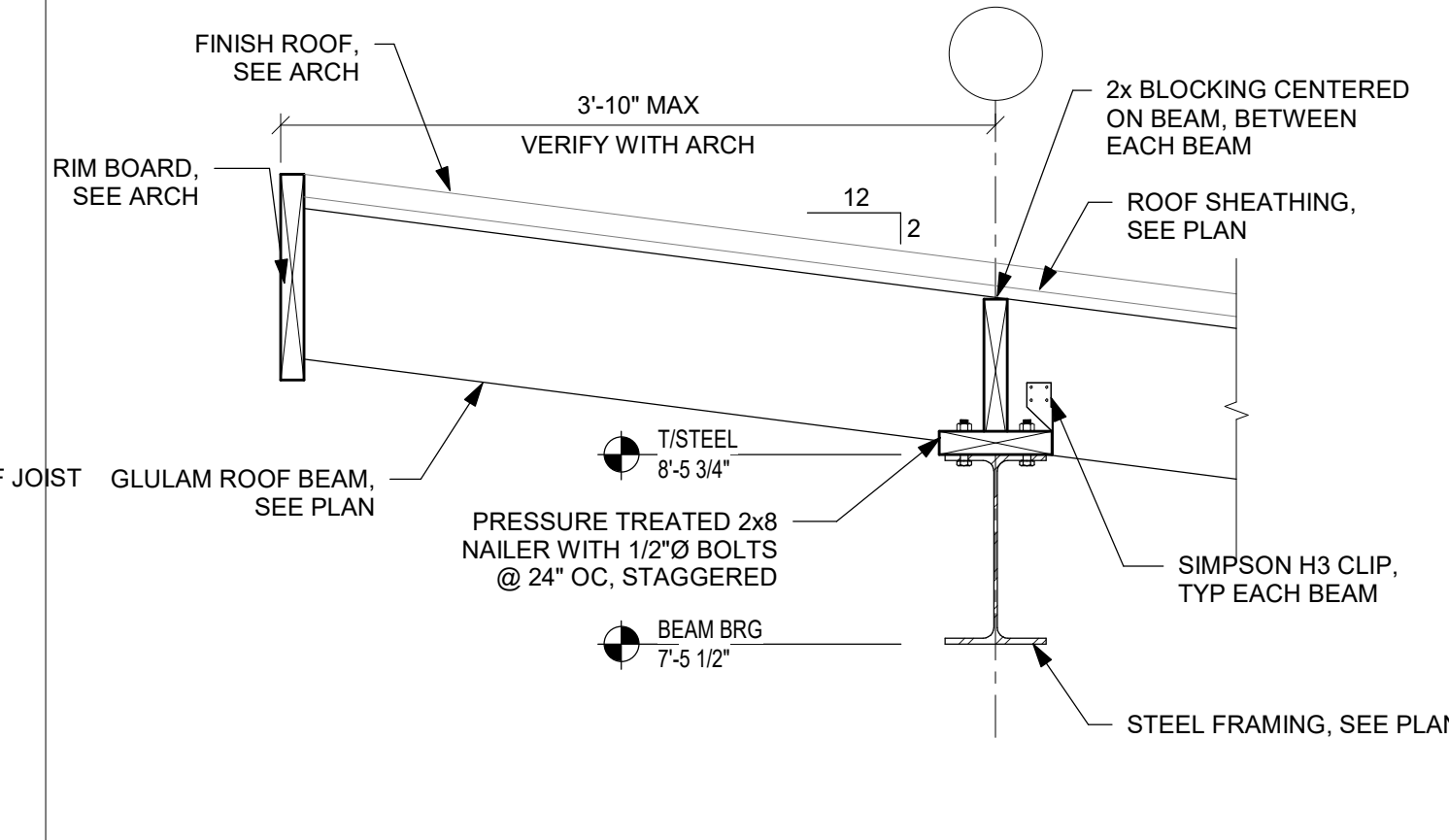


- NOTES:**
- COORDINATE EXACT SCORE BOARD DIMENSIONS, LOCATION, AND NOTES WITH SCORE BOARD DRAWINGS PRIOR TO ERECTION OF STEEL SUPPORT FRAMING. NOTIFY ENGINEER, IN WRITING, SHOULD THE DIMENSIONS VARY FROM WHAT IS SHOWN IN THE CONSTRUCTION DRAWINGS.
 - COORDINATE SCORE BOARD CONNECTIONS TO THE STEEL FRAMING WITH SCORE BOARD MANUFACTURER PRIOR TO STEEL FABRICATION AND INSTALLATION. NOTIFY ENGINEER, IN WRITING, PRIOR TO FABRICATION OF STEEL SHOULD SCORE BOARD REQUIRE DIFFERENT OR MODIFIED STEEL SUPPORT FRAMING FOR ATTACHMENT. IF ADDITIONAL STRUCTURAL STEEL IS REQUIRED BEYOND WHAT IS SHOWN ON THE CONSTRUCTION DRAWINGS, THE CONTRACTOR SHALL NOTIFY THE ENGINEER, IN WRITING, FOR FURTHER ANALYSIS.

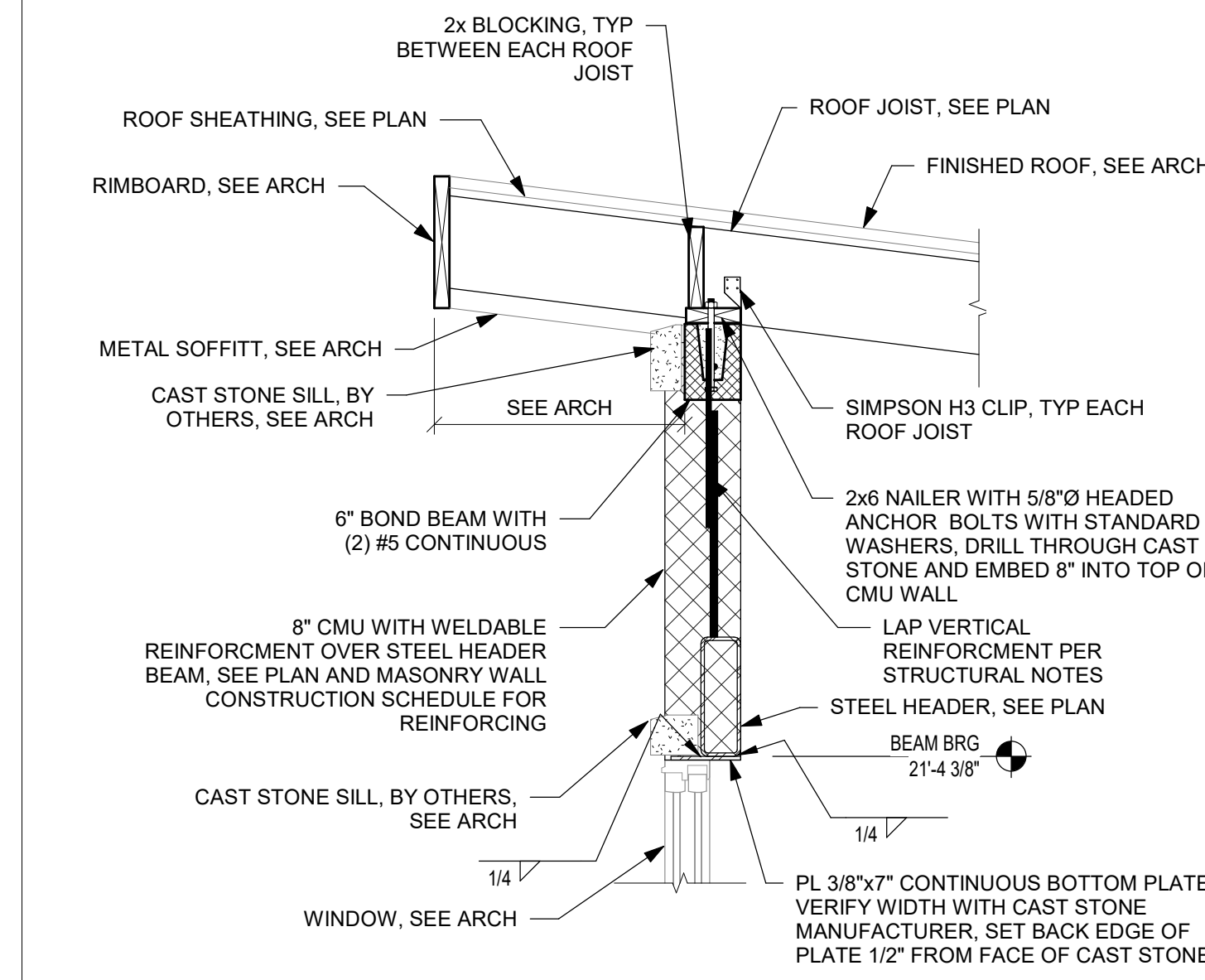
9 ELEVATION - SCOREBOARD FRAME
S-401 3/8" = 1'-0"



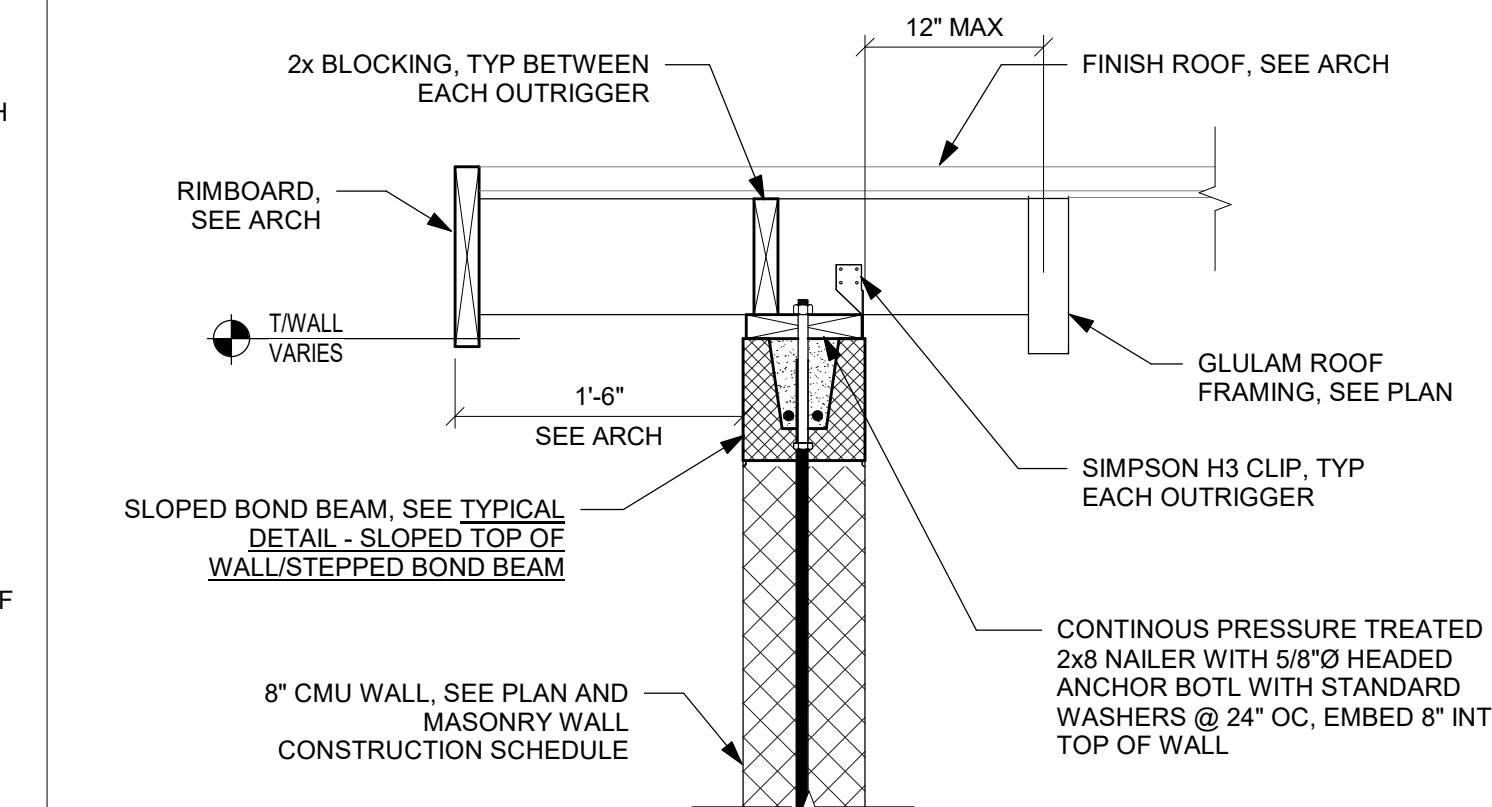
5 SECTION - PRESSBOX ROOF FRAMING ON CMU WALL
S-401 1" = 1'-0"



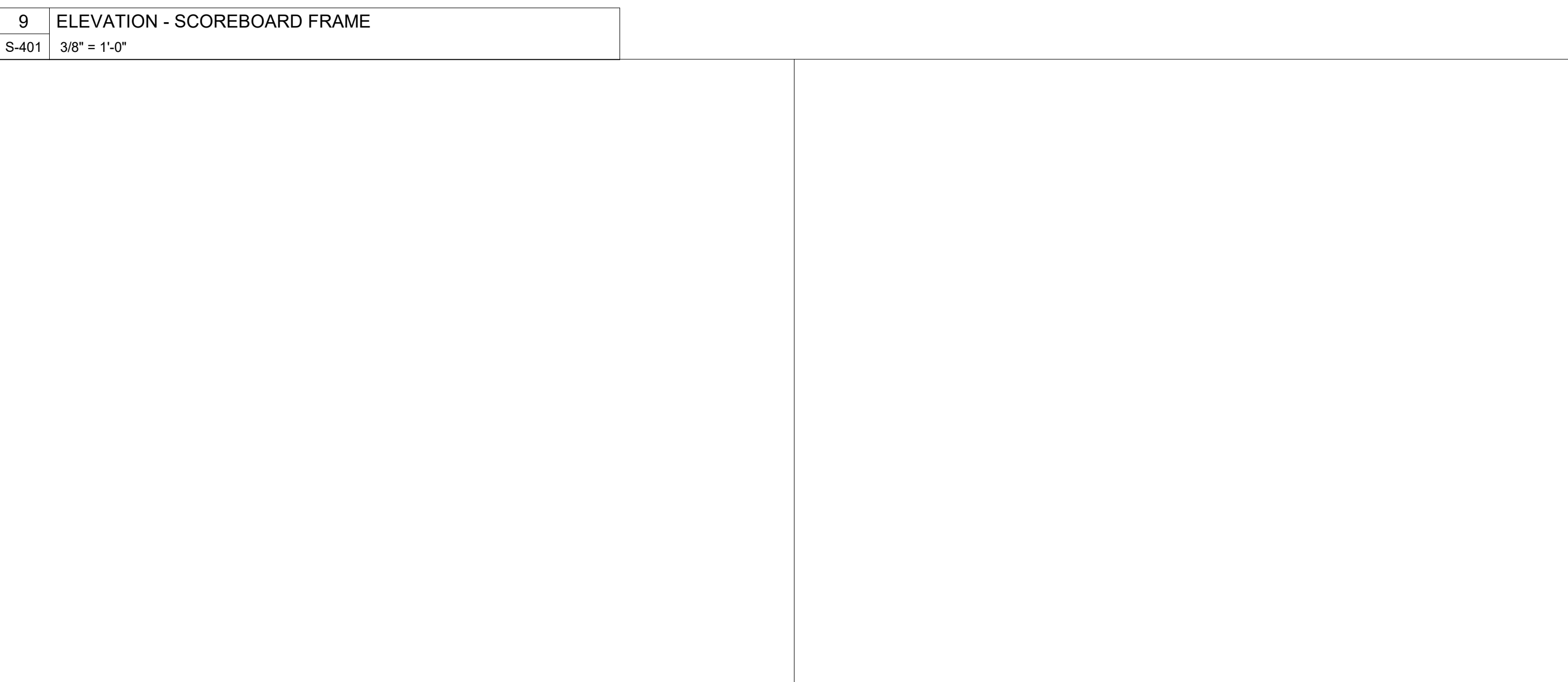
1 SECTION - ROOF FRAMING ON STEEL BEAM
S-401 1" = 1'-0"



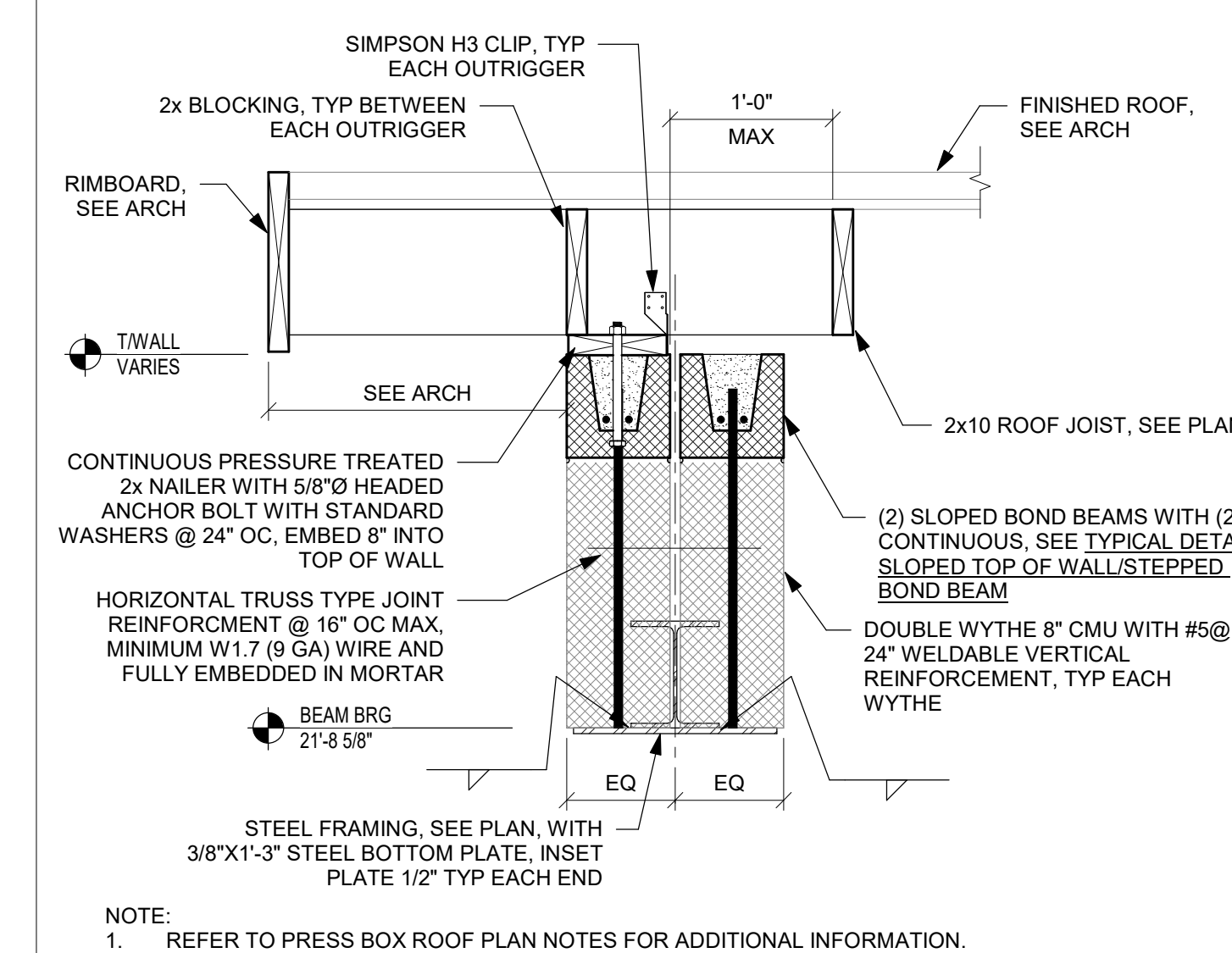
6 SECTION - PRESSBOX ROOF FRAMING OVER FRONT WINDOW
S-401 3/4" = 1'-0"



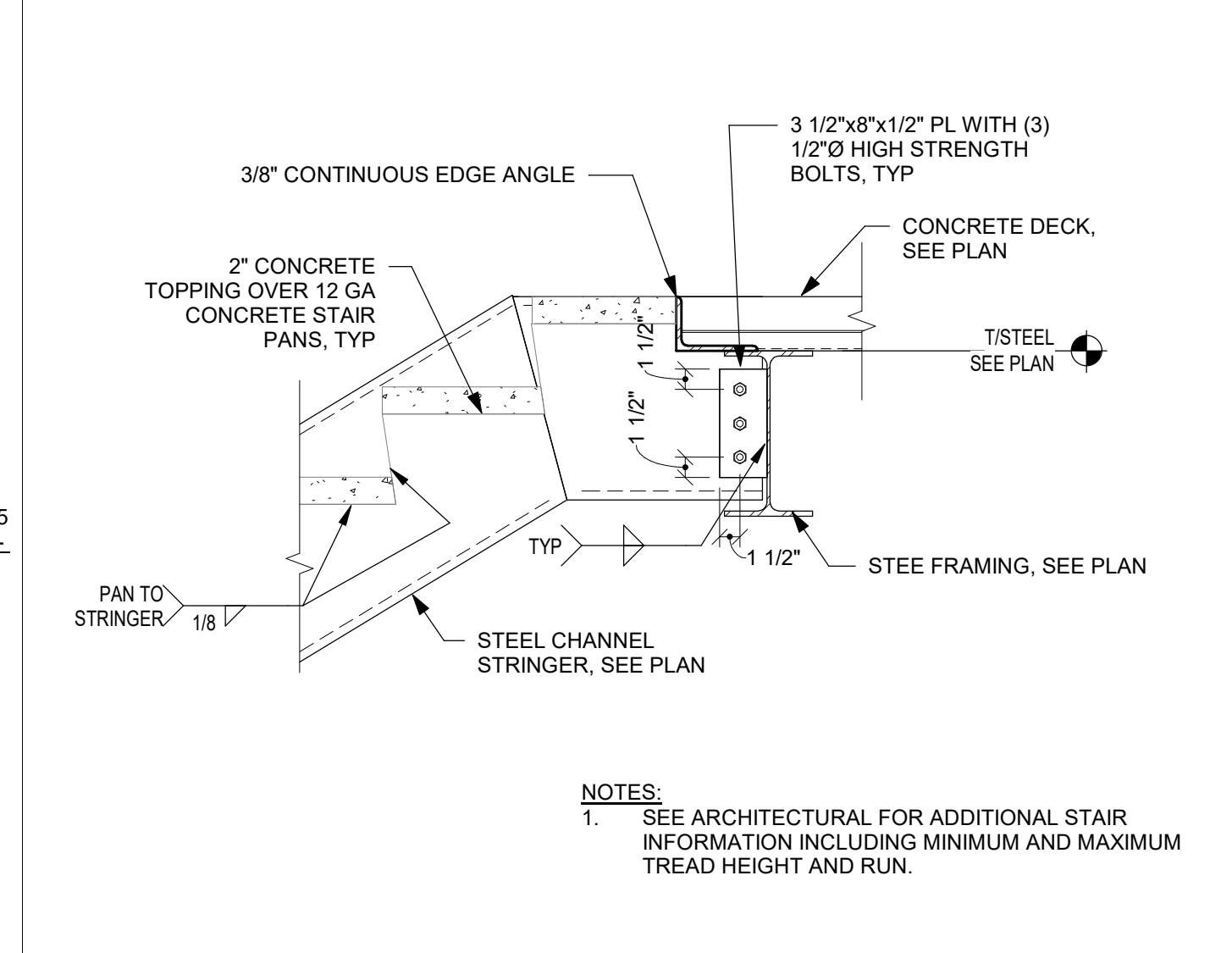
2 SECTION - DUGOUT ROOF OUTRIGGERS
S-401 1" = 1'-0"



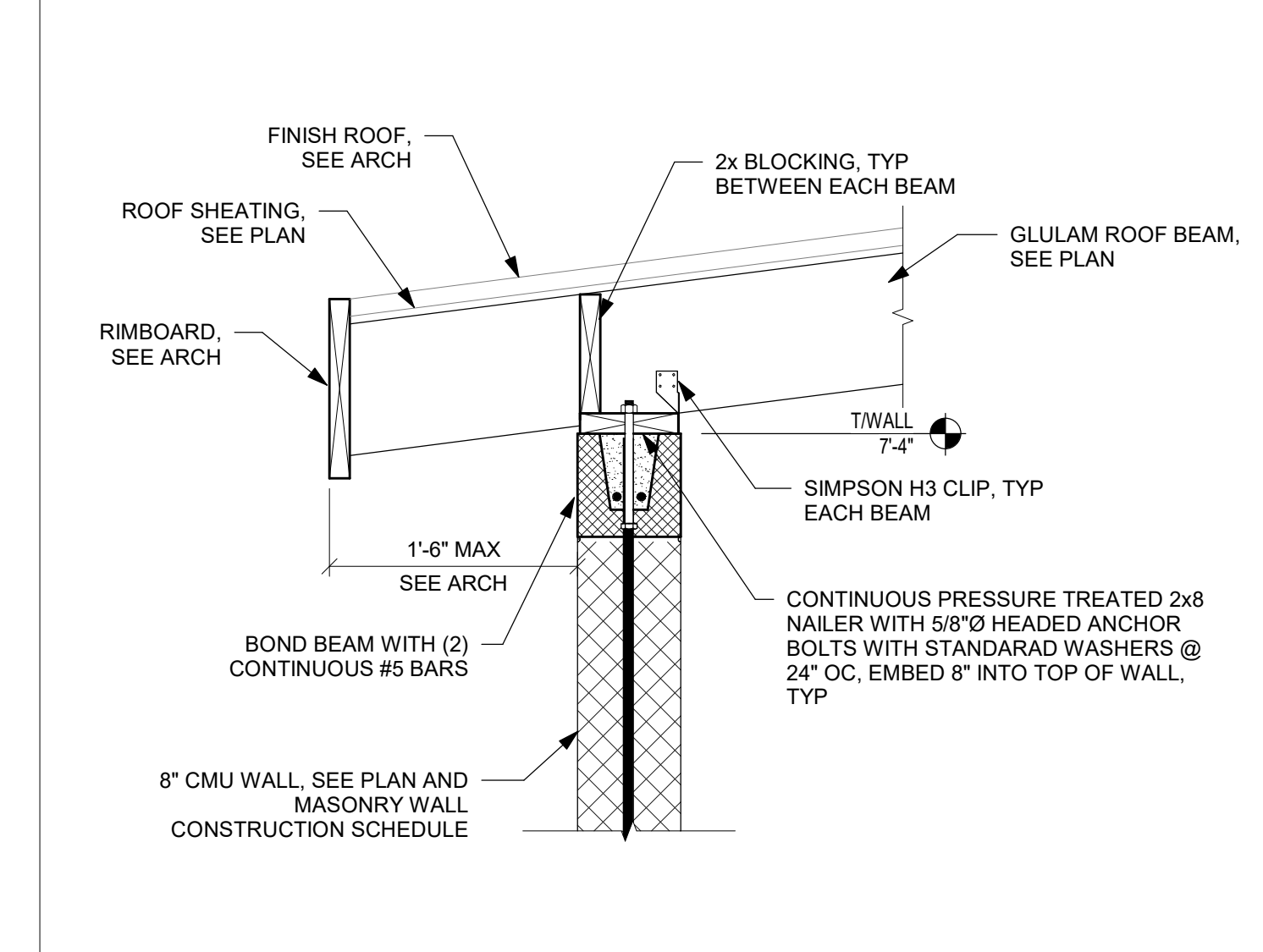
9 ELEVATION - SCOREBOARD FRAME
S-401 3/8" = 1'-0"



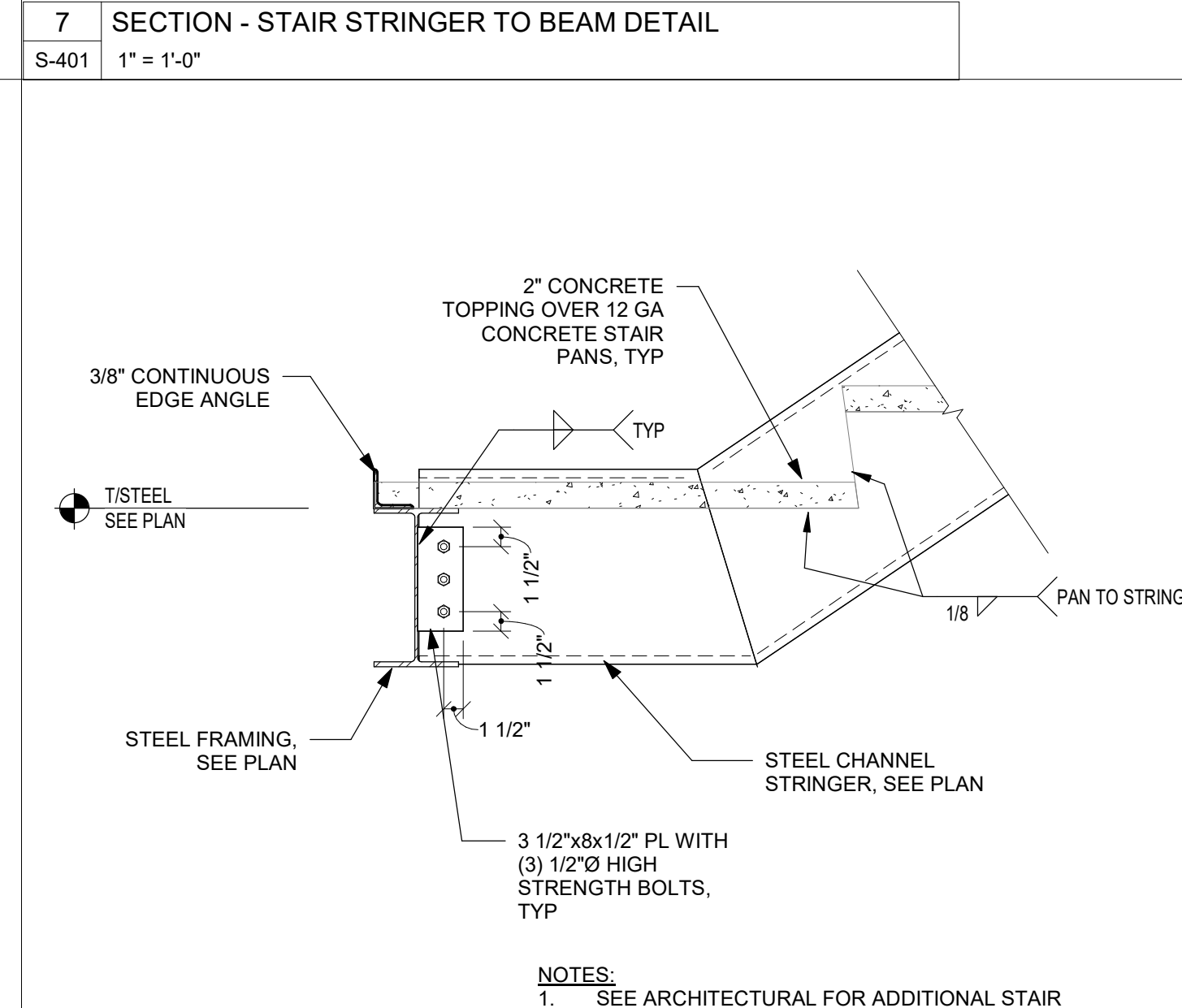
10 SECTION - HEADER OVER PRESSBOX LANDING
S-401 1" = 1'-0"



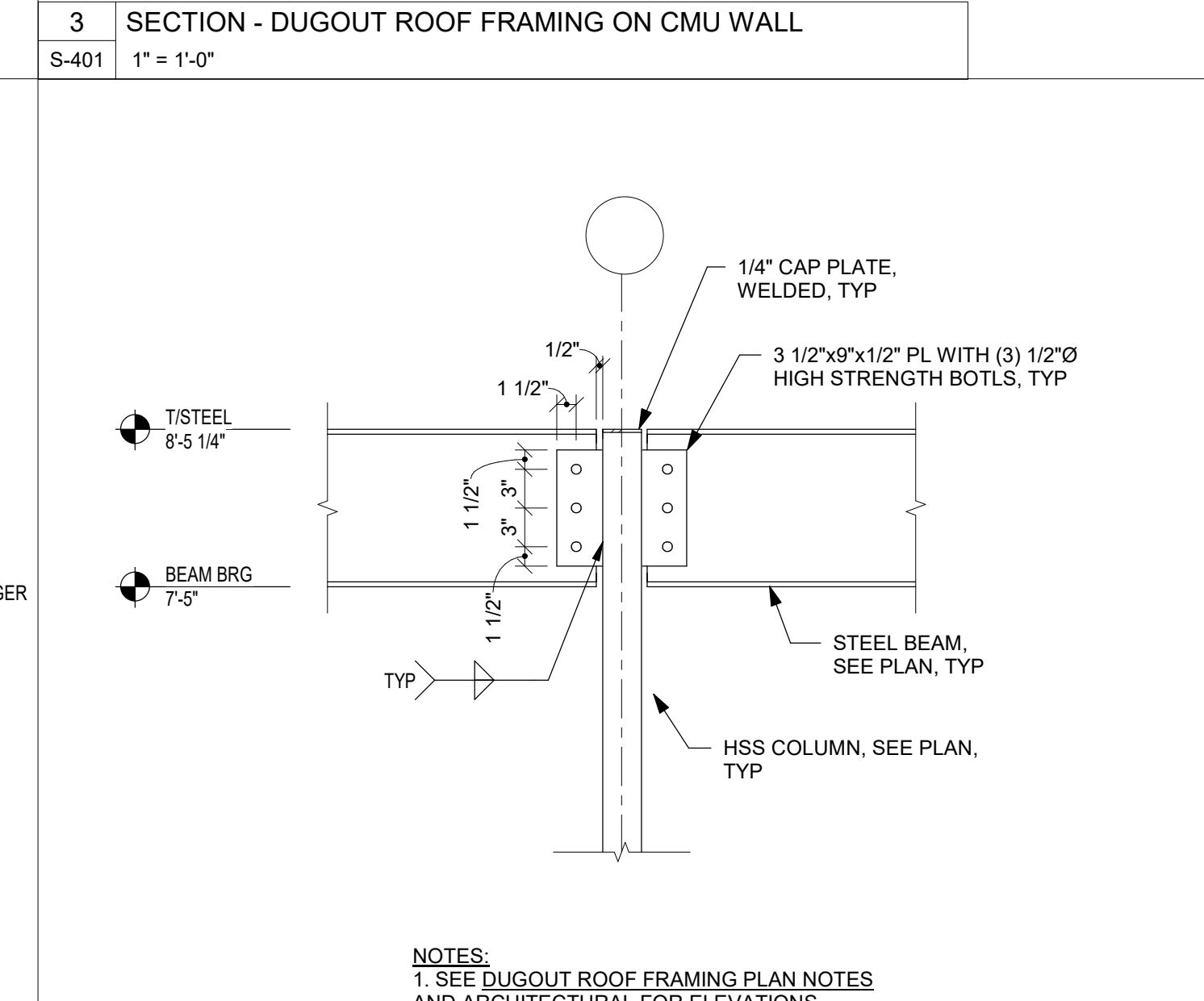
7 SECTION - STAIR STRINGER TO BEAM DETAIL
S-401 1" = 1'-0"



3 SECTION - DUGOUT ROOF FRAMING ON CMU WALL
S-401 1" = 1'-0"



8 SECTION - STAIR LANDING
S-401 1" = 1'-0"



4 SECTION - DUGOUT BEAM TO COLUMN CONNECTION
S-401 1" = 1'-0"



STAHL SHEAFFER ENGINEERING
301 Science Park Road, Suite 313
State College, PA 16803
0-81-689-1396 / 0-81-689-1395
www.stahlsheaffer.com / 1-800-451-5693
SEE PROJECT NO. 19-62

DERCK & EDSON
33 SOUTH BRAND STREET LITTLE PA 17643
717-534-7621 / 717-534-7622
www.derckandedson.com / 1-800-209-4254

FRAMING SECTIONS AND DETAILS
AMENDED PRELIMINARY / FINAL SITE DEVELOPMENT PLAN
FAIRLEIGH DICKINSON ATHLETIC FIELDS
FAIRLEIGH DICKINSON UNIVERSITY
1505 W. BLOCK 101, ZONE UNIVERSITY
100 W. HIGHWAY 40
MADISON BOROUG, MORRIS COUNTY, NEW JERSEY

REVISIONS:		
No.	DATE	DESCRIPTION OF CHANGES

DATE:	03/02/2020
PROJECT #:	190450
DRAWN BY:	MRM
CHK BY:	MRM
PIC:	JMS